

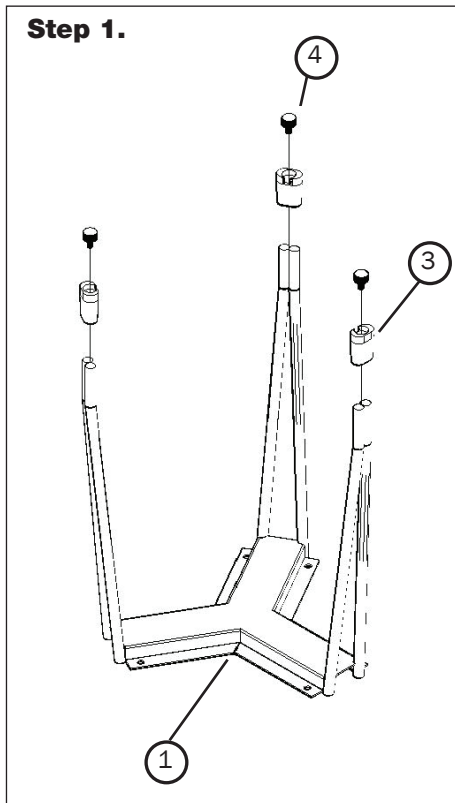
assembly & maintenance instructions

Konfurb FLY Table - Round 450mm diameter x 450mm high

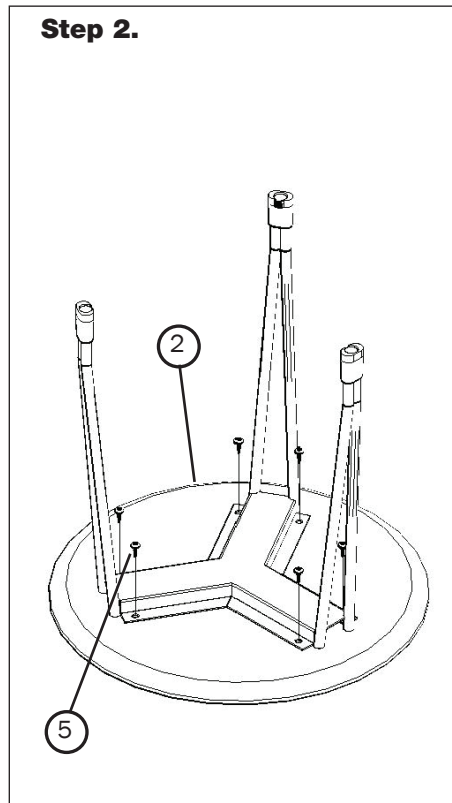
DO NOT ATTEMPT TO ASSEMBLE THIS TABLE BEFORE READING AND UNDERSTANDING THE ASSEMBLY INSTRUCTIONS

Remove all items from the carton. Verify all pieces before assembly.

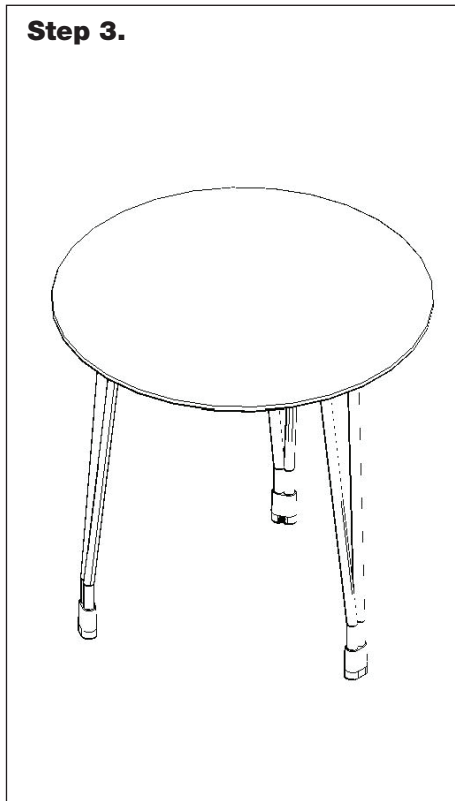
Step 1.



Step 2.



Step 3.



part list

key	qty	description
1	1	Leg/Frame
2	1	Table Top (optional if supplied)
3	3	Leg Caps
4	3	Adjustable Feet
5	6	Self-Tapping Screws

care & maintenance

general care

Warning: Polypropylene parts have been treated with a water repellent.
Warning: Exposure to direct sunlight may cause fading.

STEEL FRAME & POLYPROPYLENE PARTS

To maintain the appearance of these parts wipe surfaces with a clean, nonabrasive cloth dampened with a mild detergent solution. Treat spills and stains as soon as possible.

Persistent stains may require treatment by a professional cleaner.

Do not remove any parts for separate cleaning.

Do not shampoo clean,

Do not clean with hot water extraction machine.

Do not clean with on site dry-cleaning machine.

Protect from direct sunlight, heat and weather.

Allow to dry thoroughly before reuse.

Melamine Table Top Care should be taken to wipe up spills immediately, ensuring that the surfaces are not exposed to high or continuous levels of moisture, steam and humidity.

MELAMINE OR HIGH PRESSURE LAMINATE TOP CARE

Using a mild household spray, wipe down the surface with a soft cloth, taking care not to rub too hard. Dry the surface using a soft cloth so as not to leave any solvent on the surface. You can also use Methylated Spirits on a soft cloth using circular cleaning motion. Thoroughly clean over the area with water and detergent and a damp cloth afterwards, to remove a residual Methylated Spirits.

To ensure that you do not void your warranty, DO NOT use any of the following on melamine or high pressure laminate tops: Commercial cleaning products, abrasive cleaners, scouring pads or abrasive papers, acids and alkalis solvents, thinners turpentine, ammonia, bleach, acetone and any other cleaning agents containing organic solvent or the above mentioned products.

preventative maintenance & warning!

- Use this product only for seating one person at a time.
- Do not use this table as a step stool/ladder.
- Do not sit on any part of the table
- Do not use this table on uneven floor surfaces.
- Do not use table unless all bolts, screws and knobs are tight. At least every six months check all bolts, screws and knobs to ensure they are tight.
- If any parts are missing, broken, damaged or worn do not use the product until repairs are made using factory authorised parts.
- Dispose of packaging properly.
- Plastic bag is not a toy. Do not use plastic bag as a head covering as it may cause suffocation.
- Failure to follow these warnings could result in serious injury.